

## VERTICAL INDICATOR POST

### FIG · F0600–IP

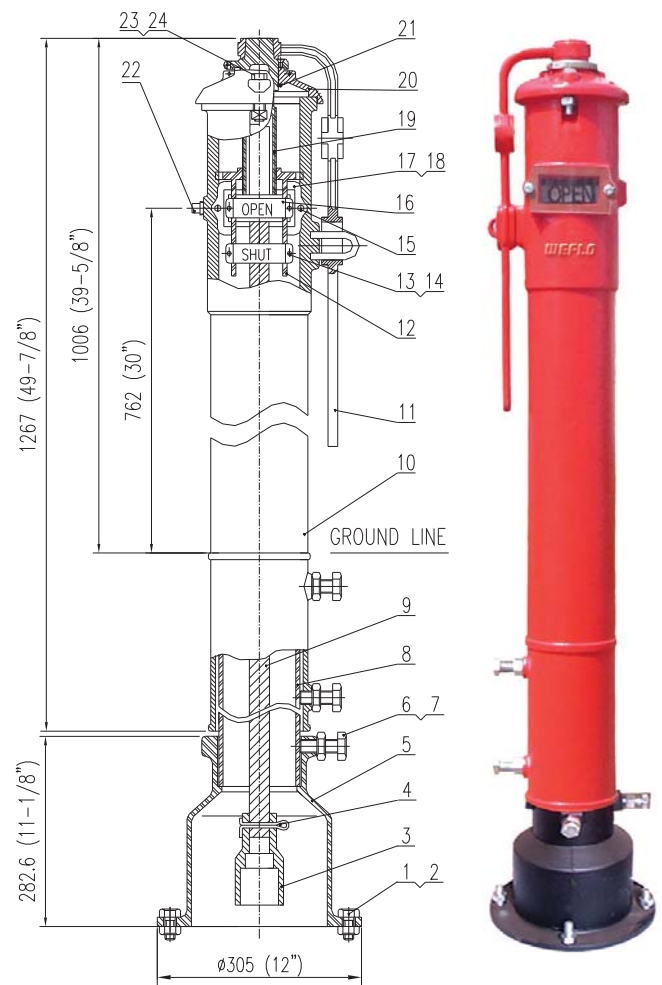
#### Specifications

- Indicates if the valve underneath is in the OPEN or SHUT position
- The indicator post provides a means of operating a buried or otherwise inaccessible valve
- The adjustment range of the indicator post is 34.5" to accommodate deeper buried valves and can be easily adjusted in the field
- The wrench handle fits over a "U" bracket on the barrel and may be fixed With a padlock to secure the operating wrench to the barrel
- Can be supplied in OPEN LEFT or OPEN RIGHT configurations from the factory, or the direction of opening can also be changed in the field
- UL Listed and FM Approved
- Corrosion Protection – internal and external red spray epoxy, RAL 3000

#### Material Specifications

No.	Component	Material
1	Hex Cap Screw	Carbon Steel ASTM A307B
2	Hex Nut	Carbon Steel ASTM A307B
3	Crane Coupling	Ductile Iron ASTM A536 Gr. 65-45-12
4	Cotter Pin	Stainless Steel AISI 304
5	Base Flange	Cast Iron ASTM A126 Class B
6	Hex Nut	Carbon Steel ASTM A307B
7	Hex Cap Screw	Carbon Steel ASTM A307B
8	Standpipe	Carbon Steel ASTM A53
9	Stem 1" Square	Carbon Steel AISI 1045
10	Body	Cast Iron ASTM A126 Class B
11	Locking Wrench	Ductile Iron ASTM A536 Gr. 65-45-12
12	Target Carrier Nut	Bronze ASTM B62 C83600 Stainless Steel AISI 304
13	Hex Cap Screw	Carbon Steel ASTM A307B
14	Hex Nut	Carbon Steel ASTM A307B
15	Hex Cap Screw	Carbon Steel ASTM A307B
16	Target	Cast Aluminium
17	Window Glass	Plexiglass
18	Gasket	PTFE
19	Operating Nut	Bronze ASTM B62 C83600 Stainless Steel AISI 304
20	Top Section	Cast Iron ASTM A126 Class B
21	Snap Ring	Stainless Steel AISI 1066
22	Plug	Malleable Iron
23	Square Nut	Carbon Steel ASTM A307B
24	Hex Cap Screw	Carbon Steel ASTM A307B

#### Schematic



#### Field Adjustment

- Remove the top section of the upper barrel of the indicator post
- Cut the stem to the required length and adjust the standpipe to match up the GROUND LINE
- Set the OPEN and SHUT targets for the appropriate valve size
- Re-attach the top section of the upper barrel of the indicator post