



LISTED



APPROVED

FIRE PROTECTION GROOVED BUTTERFLY VALVE F1022-300

Specifications :

Certification :

- Valves size 2", 2.5", 3", 4", 5", 6", 8", 10", 12".
- UL listed for all sizes.
- FM approved for size 2", 2.5", 3", 4", 5", 6".

Features :

- Vulcanized disc design for bubble-tight shutoff at 300PSI.
- Flag type position indicator.
- Low torque operation, high cycle life.
- Light weight.
- With built-in supervisory switch.
- Top flange to ISO 5211/1.
- Grooved ends to AWWA C606 Standard or Metric Dimensions.
- Fusion bonded epoxy coated interior and exterior to AWWA C550 standard.
- Working Pressure 300PSI. (available for 250PSI and 200PSI)
- Working Temperature -10°C to 82°C.



Installation Sheet for Gear Operator with Tamper Switch

Butterfly valves are provided with internal supervisory position switches. The tamper switch operates by a cam connected to the valve stem. The switch will change position and close within two (2) full turns of the hand wheel from the fully open position.

Switch #1:

For connection to the supervisory circuit

Normally closed: 2 Yellow

Normally open: 2 Red

Common: 2 White

Switch #2:

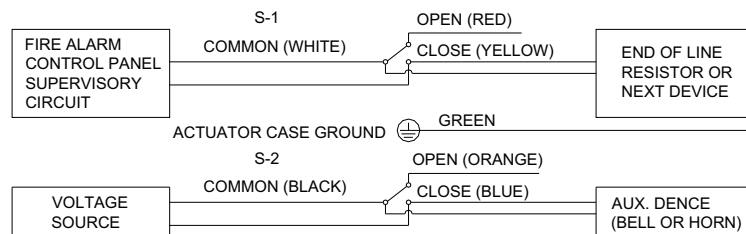
Auxiliary switch connected per authority

Normally closed: 1 Blue

Normally open: 1 Orange

Common: 1 Black

Ground Lead: 1 Green



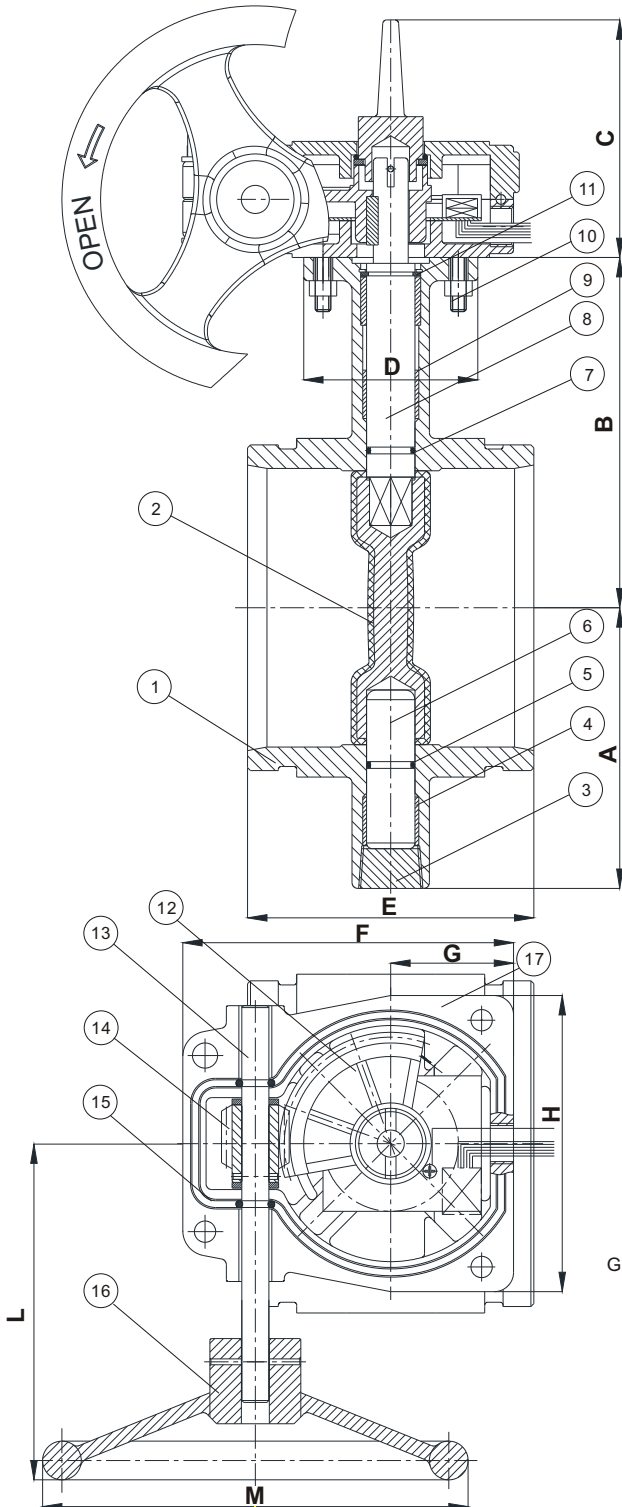
- Notes:
1. Item no. VSION 021 C2.
 2. Rated: 10A 125-250VAC.

The designs, materials and specifications shown are subject to change without notice due to the continuous development of our product.



Americas: WEFLO VALVE LLC (USA) Web: www.weflo.com E-mail: info@weflo.com Tel: +1 904-551-9349
 Europe, Middle East, Africa: WEFLO VALVE Ltd (UK) Web: www.weflovalve.com E-mail: info@weflovalve.com Tel: +532 621 353 588
 Asia, Pacific: WEFLO VALVE Ltd (China) Web: www.weflovalve.com E-mail: info@weflovalve.com Tel: +86 532-87905016

Schematic



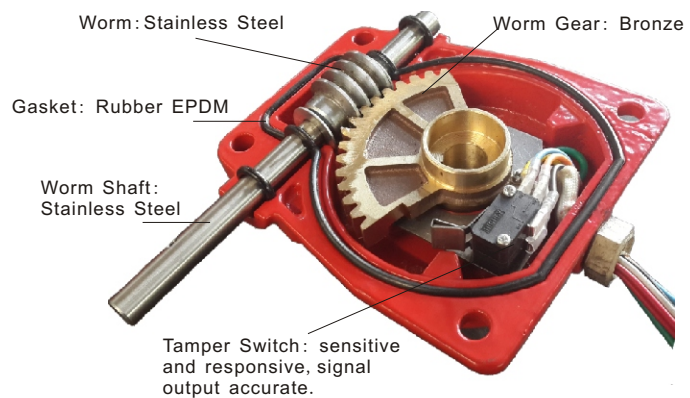
Components & Materials

1	Body	Ductile Iron A536 65-45-12
2	Wedge	Ductile Iron A536 65-45-12 with EPDM Encapsulated
3	Plug	Carbon Steel/Chrome Plated
4	Lower Shaft Sleeve	Brass C67400
5	O-Ring	Rubber EPDM
6	Lower Stem	Stainless Steel AISI 431
7	O-Ring	Rubber EPDM
8	Upper Stem	Stainless Steel AISI 431
9	Upper Shaft Sleeve	Brass C67400
10	Bolts & Nuts	Carbon Steel/Zinc Plated
11	Split Collar	Brass C67400
12	Worm Gear	Bronze C62300
13	Worm Shaft	Stainless Steel AISI 316
14	Worm	Stainless Steel AISI 316
15	Gasket	Rubber EPDM
16	Handwheel	Cast Iron A126 Class B
17	Gear Box	Cast Iron A126 Class B

Dimensions (mm/inch)

Size	A	B	C	D	E	F	G	H	L	M
2"	77	99	120	90	84	170	65	155	150	200
	3.03	3.90	4.72	3.54	3.31	6.69	2.56	6.10	5.91	7.87
2.5"	85	112	120	90	97	170	65	155	150	200
	3.35	4.41	4.72	3.54	3.82	6.69	2.56	6.10	5.91	7.87
3"	90	115	120	90	97	170	65	155	150	200
	3.54	4.53	4.72	3.54	3.82	6.69	2.56	6.10	5.91	7.87
4"	108	145	120	90	116	170	65	155	150	200
	4.25	5.71	4.72	3.54	4.57	6.69	2.56	6.10	5.91	7.87
5"	120	138.5	120	90	148	170	65	155	150	200
	4.72	5.45	4.72	3.54	5.83	6.69	2.56	6.10	5.91	7.87
6"	145	185	120	90	148	170	65	155	150	200
	5.71	7.28	4.72	3.54	5.83	6.69	2.56	6.10	5.91	7.87
8"	180	200	160	125	133	225	85	206	200	300
	7.09	7.87	6.30	4.92	5.24	8.86	3.35	8.11	7.87	11.81
10"	230	250	160	125	159	225	85	206	200	300
	9.06	9.84	6.30	4.92	6.26	8.86	3.35	8.11	7.87	11.81
12"	260	275	160	125	165	225	85	206	200	300
	10.23	10.82	6.30	4.92	6.50	8.86	3.35	8.11	7.87	11.81

Internal Structure of Gear operator



The designs, materials and specifications shown are subject to change without notice due to the continuous development of our product.