

**WAFER DOUBLE DOOR CHECK VALVE**  
Size DN50-DN600 PN16/Class125  
**FIG · 5306**

**Specification**

- The short face to face dimension and compact design of this valve allow installation and service in tight spaces.
- Spring assisted for better dynamic behaviour.
- Soft sealed for perfect tightness even at low differential pressure.
- Available with flanges EN1092-2 PN10 or PN16, ANSI B16.1 Class125 (Other types available on request).
- WRAS approval.

**Working Pressure**

- 16bar

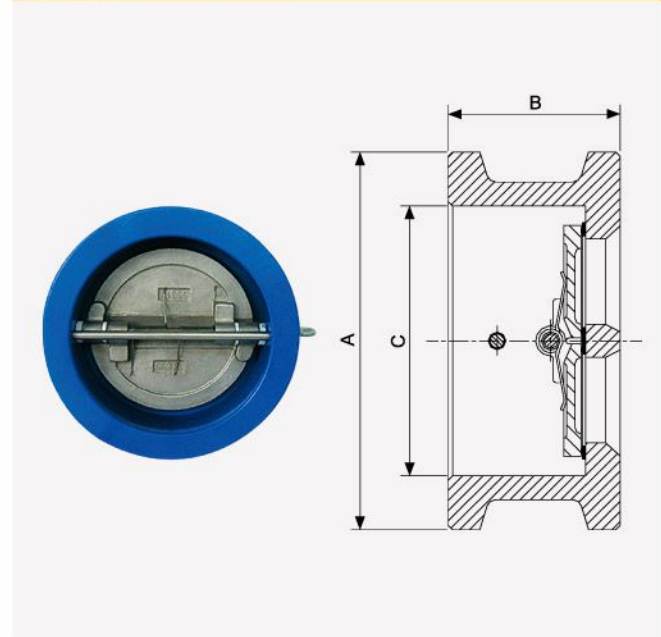
**Working Temperature**

- -10°C to 120°C for EPDM seat
- -10°C to 82°C for NBR seat
- -10°C to 150°C for Viton seat

**Material Specification**

Part Name	Materials	EN Spec.	ASTM Spec.
<b>Body</b>	Cast Iron	EN-JL1040	ASTM A126 Class B
<b>Disc</b>	Stainless Steel	BS970 304S15	A351 CF8
<b>Seat</b>	EPDM/NBR/Viton	Commercial	Commercial
<b>Hinge Pin</b>	Stainless Steel	BS970 420S37	AISI 420
<b>Stop Pin</b>	Stainless Steel	BS970 420S37	AISI 420
<b>Pin Retainer</b>	Stainless Steel	BS970 304S15	AISI 304
<b>Spring</b>	Stainless Steel	BS970 304S15	AISI 304
<b>Washer</b>	PTFE	Commercial	Commercial
<b>Gasket</b>	EPDM/NBR/Viton	Commercial	Commercial

**Drawing and Picture**



**Corrosion Protection**

- Internally and externally liquid epoxy painted or fusion bonded epoxy powder coated (FBE).

**Notes:** Design and material are subject to change without notice.

**Dimensions (mm)**

Size	A			B	C	Weight (kg)
	Table D/E Flange	ANSI 125# Flange	EN1092-2 PN16 Flange			
50	96	102	106	54	66	1.8
65	109	121	126	54	78	2.4
80	126	134	141	57	90	3.2
100	158	172	161	64	115	4.8
125	190	194	191	70	141	7.3
150	210	220	217	76	170	10
200	267	277	272	95	210	14.2
250	331	337	327	108	273	23.6
300	379	407	382	143	324	37.5
350	445	447	442	184	356	62
400	493	511	494	191	406	74
450	559	546	554	203	457	100
500	616	602	616	213	508	155
600	723	715	733	222	600	215