

## Wafer Butterfly Valve PN16

### FIG · 2302A-SS Disc, FIG · 2303A-Bronze Disc, FIG · 2304A-DI Disc

#### Specifications

- Valves comply with EN593, BS5155, MSS SP-67.
- Replaceable rubber liner for size DN50 to DN300.
- With 4 locating holes for easier installation and centering.
- Actuator-ready with top-flange in accordance with ISO5211-1.
- Handle or gearbox operated.
- Flanges to EN1092-2 PN10/PN16, ANSI B16.1 Class 125 (Other types available on request).
- WRAS Approved:  
Fig. 2302W/2304W DN50 to DN300,  
EPDM seat for potable water.

#### Working Pressure

- 16 bar.

#### Working Temperature

- -10°C to 120°C for EPDM liner.
- -10°C to 82°C for NBR liner.
- -10°C to 150°C for Viton liner.

#### Corrosion Protection

- Internally and externally liquid epoxy or fusion bonded epoxy powder coated (FBE).

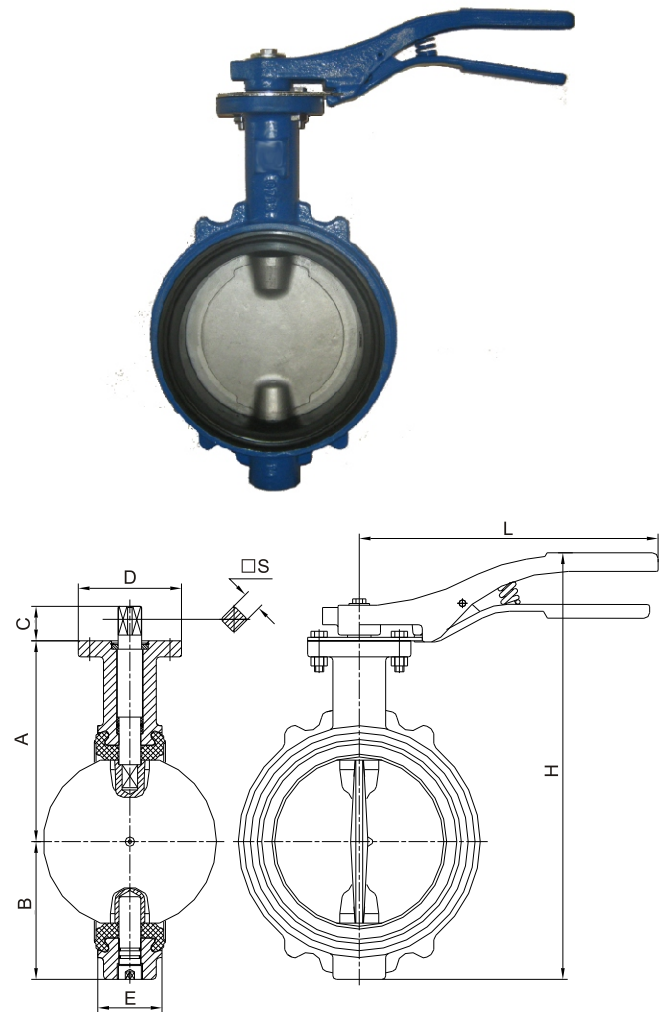
#### Notes:

*Design and material are subject to change without notice.*

#### Material Specifications

Part Name	Material	EN Spec.	ASTM Spec.
<b>Body</b>	Ductile Iron	EN-JS 1040	A536 65-45-12
<b>Shaft</b>	Stainless Steel	BS970 420S37	AISI 420
	Stainless Steel	BS970 304S15	A351 CF8
	Bronze	EN1982 CC491K	ASTM B62 C83600
<b>Disc</b>	Ductile Iron Chrome Plated or FBE Coated	EN-JS 1040	A536 65-45-12
<b>Bushing</b>	PTFE	Commercial	Commercial
<b>Liner</b>	EPDM/NBR/Viton	Commercial	Commercial
<b>O-Ring</b>	EPDM/NBR/Viton	Commercial	Commercial
<b>Handle</b>	Ductile Iron	EN-JS 1040	A536 65-45-12

#### Schematic



#### Dimensions (mm)

Size	50	60	80	100	125	150	200	250	300
<b>A</b>	112	120	130	145	160	175	200	250	290
<b>B</b>	68	70	78.5	94	106	120	155	192	216
<b>C</b>	30	30	30	30	30	30	30	30	30
<b>D</b>	90	90	90	90	90	90	125	125	125
<b>E</b>	43	45	46	51.5	56	56.5	60	68.5	79.5
<b>H</b>	257	267	285	316	343	372	450	544	609
<b>L</b>	260	260	260	260	260	260	326	416	416
<b>□S</b>	11x11			14x14		17x17		22x22	